

系列三相无刷同步发电机 SERIES THREE-PHASE BRUSHLESS SYNCHRONOUS ALTERNATOR



QS224 TECHNICAL DATA SHEET

50Hz CLASS "H"

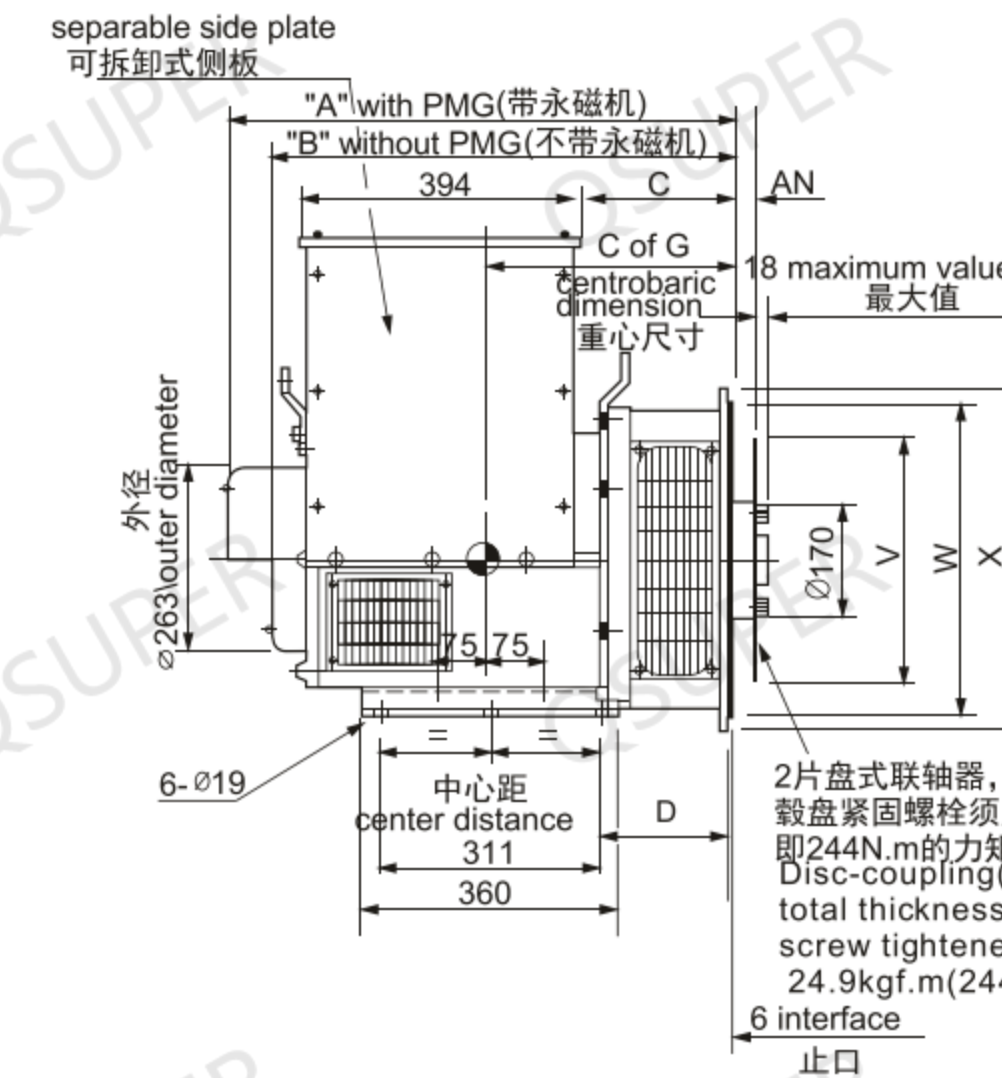
| RATINGS | 绕组形式 311 / 功率因数 0.8 Winding 311 / 0.8 Power Factor | | | | | | | | 绕组形式 05 Winding 05 | | | | | | | | | | |
|------------------------|---|-----|------|-----|-------------------------------------|----|------|------|-------------------------------------|------|------|------|-------------------------------------|-------------|-----|------|-----|----|--------------|
| | 持续 / 125k/40°C Cont. / 125k/40°C | | | | 持续 / 125k/40°C Cont. / 125k/40°C | | | | 持续 / 125k/40°C Cont. / 125k/40°C | | | | 持续 / 125k/40°C Cont. / 125k/40°C | | | | | | |
| 相数 PHASE | 三相 3 PHASE | | | | | | | | 单相 1 PHASE | | | | | | | | | | |
| 星形串联 SERIES STAR | 380 | 400 | 415 | 440 | | | | | | | | | | | | | | | Power Factor |
| 星形并联 PARALLEL STAR | 190 | 200 | 208 | 220 | | | | | 0.8 | | 1 | | | | | | | | |
| 三角形串联 SERIES DELTA | 220 | 230 | 240 | 254 | | | | | | | | | | | | | | | |
| 双三角形并联 DOUBLE DELTA | | | | | | | | 220 | | 230 | | 240 | | 220,230,240 | | | | | |
| | KVA | KW | KVA | KW | KVA | KW | KVA | KW | KVA | KW | KVA | KW | KVA | KW | KVA | KW | KVA | KW | |
| QS224C | 42.5 | 34 | 42.5 | 34 | 42.5 | 34 | 32.5 | 26 | 28.5 | 22.8 | 28.5 | 22.8 | 28.5 | 22.8 | 28 | 22.4 | 28 | 28 | |
| QS224D | 50 | 40 | 50 | 40 | 50 | 40 | 46.9 | 37.5 | 33.5 | 26.8 | 33.5 | 26.8 | 33.5 | 26.8 | 35 | 28 | 35 | 35 | |
| QS224E | 60 | 48 | 60 | 48 | 60 | 48 | 45 | 36 | 40 | 32 | 40 | 32 | 40 | 32 | 40 | 32 | 40 | 40 | |
| QS224F | 72.5 | 58 | 72.5 | 58 | 72.5 | 58 | 55 | 44 | 48.5 | 38.8 | 48.5 | 38.8 | 48.5 | 38.8 | 50 | 40 | 50 | 50 | |
| QS224G | 85 | 68 | 85 | 68 | 85 | 68 | 75 | 60 | 56.5 | 45.2 | 56.5 | 45.2 | 56.5 | 45.2 | 60 | 48 | 60 | 60 | |

60Hz CLASS "H"

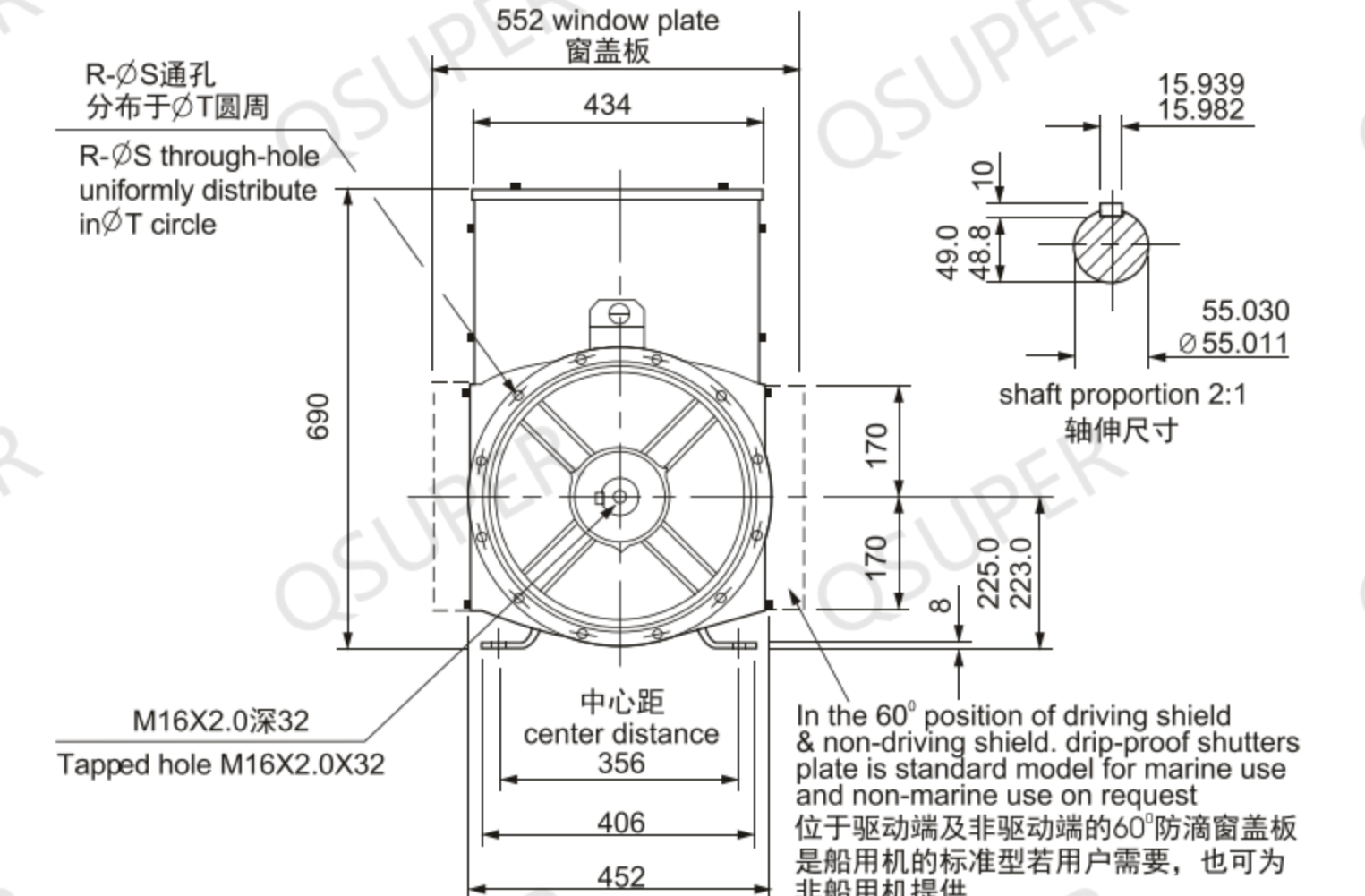
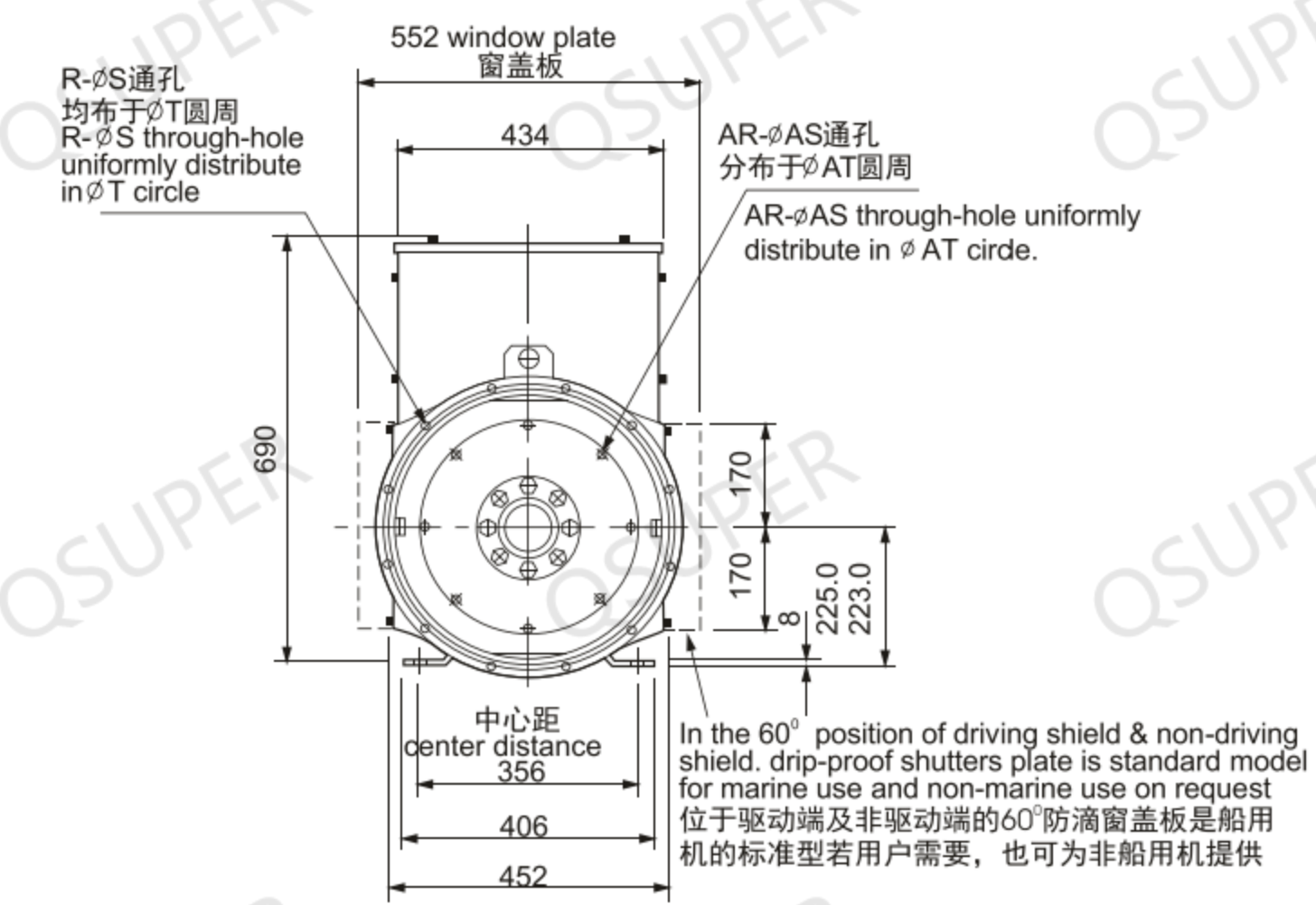
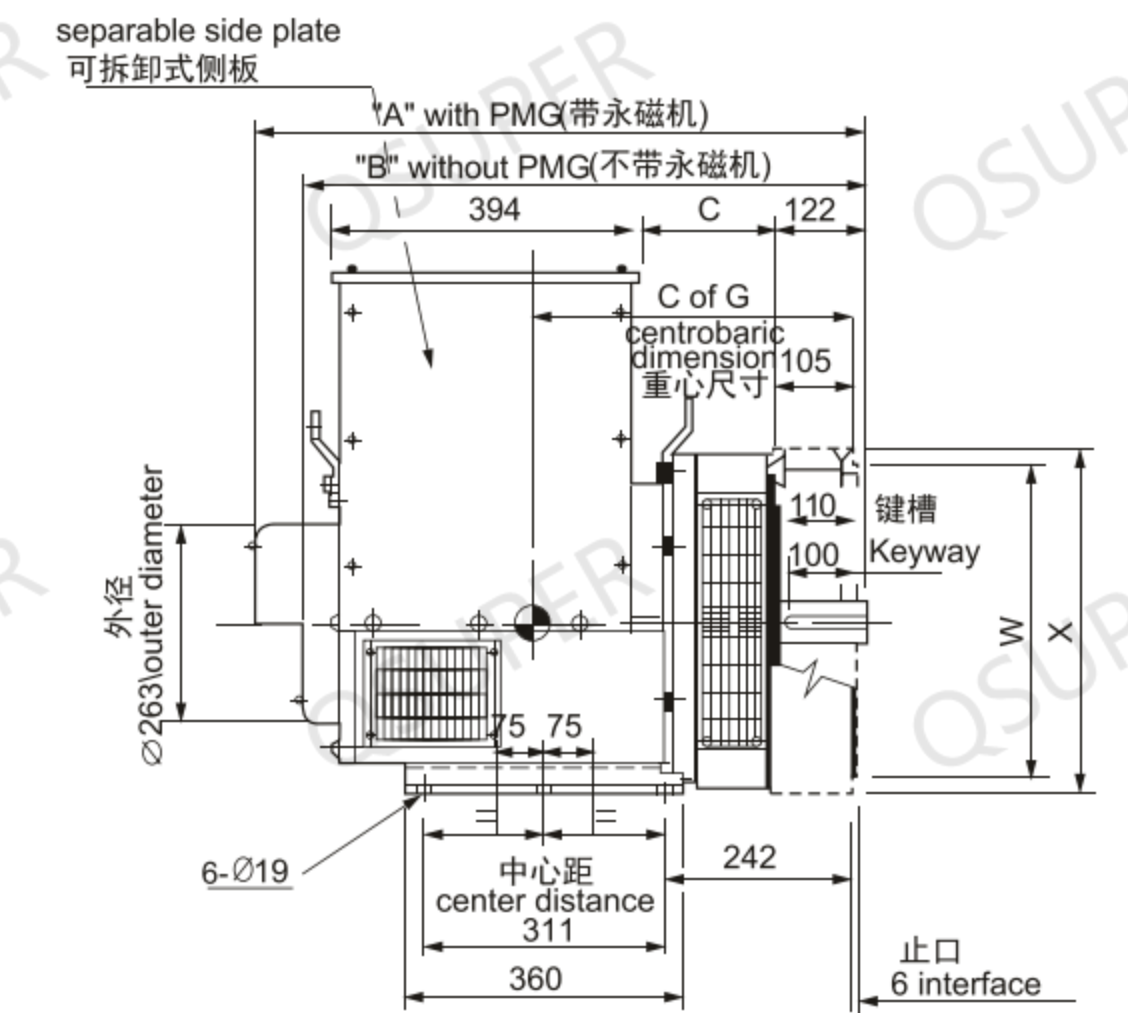
| RATINGS | 绕组形式 311 / 功率因数 0.8 Winding 311 / 0.8 Power Factor | | | | | | | | 绕组形式 06 Winding 06 | | | | | | | | | | |
|------------------------|---|-----|------|-----|-------------------------------------|----|-------|-----|-------------------------------------|------|------|------|-------------------------------------|-------------|------|----|------|------|--------------|
| | 持续 / 125k/40°C Cont. / 125k/40°C | | | | 持续 / 125k/40°C Cont. / 125k/40°C | | | | 持续 / 125k/40°C Cont. / 125k/40°C | | | | 持续 / 125k/40°C Cont. / 125k/40°C | | | | | | |
| 相数 PHASE | 三相 3 PHASE | | | | | | | | 单相 1 PHASE | | | | | | | | | | |
| 星形串联 SERIES STAR | 416 | 440 | 460 | 480 | | | | | | | | | | | | | | | Power Factor |
| 星形并联 PARALLEL STAR | 208 | 220 | 230 | 240 | | | | | 0.8 | | 1 | | | | | | | | |
| 三角形串联 SERIES DELTA | 240 | 254 | 266 | 277 | | | | | | | | | | | | | | | |
| 双三角形并联 DOUBLE DELTA | | | | | | | | 220 | | 230 | | 240 | | 220,230,240 | | | | | |
| | KVA | KW | KVA | KW | KVA | KW | KVA | KW | KVA | KW | KVA | KW | KVA | KW | KVA | KW | KVA | KW | |
| QS224C | 50 | 40 | 52.5 | 42 | 52.5 | 42 | 55 | 44 | 30.5 | 24.4 | 32 | 25.6 | 33.5 | 26.8 | 37.5 | 30 | 37.5 | 37.5 | |
| QS224D | 60 | 48 | 62.5 | 50 | 62.5 | 50 | 65 | 52 | 36.5 | 29.2 | 38.3 | 30.6 | 40 | 32 | 44 | 35 | 44 | 44 | |
| QS224E | 67.5 | 54 | 70 | 56 | 72.5 | 58 | 75 | 60 | 41.3 | 33 | 43.1 | 34.5 | 45 | 36 | 50 | 40 | 50 | 50 | |
| QS224F | 83.8 | 67 | 87.5 | 70 | 87.5 | 70 | 93.8 | 75 | 50 | 40 | 52.5 | 42 | 56 | 45 | 60 | 48 | 60 | 60 | |
| QS224G | 93.8 | 75 | 97.5 | 78 | 100 | 80 | 103.8 | 83 | 56.9 | 45.5 | 59.4 | 47.5 | 62.5 | 50 | 70 | 56 | 75 | 75 | |



单轴承 SINGLE BEARING



双轴承 DOUBLE BEARING



DIMENSION 尺寸(mm) SHIPMENT DATA 运输数据

| SAE 4 | 型号Model | A | B | C | C of G | N.W(kg) | G.W(kg) | LXWXH(mm) |
|--------|---------|-----|-------|-------|--------|---------|-------------|-------------|
| | QS224C | 734 | 671 | 233.5 | 323 | 235 | 255 | 820X540X870 |
| QS224D | 734 | 671 | 233.5 | 333 | 250 | 270 | 820X540X870 | |
| QS224E | 824 | 761 | 323.5 | 348 | 270 | 290 | 890X540X870 | |
| QS224F | 824 | 761 | 323.5 | 358 | 310 | 330 | 890X540X870 | |
| QS224G | 869 | 806 | 368.5 | 373 | 350 | 370 | 930X540X875 | |

| SAE 3 | 型号Model | A | B | C | C of G | N.W(kg) | G.W(kg) | LXWXH(mm) |
|--------|---------|-----|-----|-----|--------|---------|-------------|-------------|
| | QS224C | 710 | 647 | 210 | 311 | 235 | 255 | 820X540X870 |
| QS224D | 710 | 647 | 210 | 321 | 250 | 270 | 820X540X870 | |
| QS224E | 800 | 737 | 300 | 336 | 270 | 290 | 890X540X870 | |
| QS224F | 800 | 737 | 300 | 346 | 310 | 330 | 890X540X870 | |
| QS224G | 845 | 782 | 345 | 361 | 350 | 370 | 930X540X875 | |

DIMENSION 尺寸(mm) SHIPMENT DATA 运输数据

| SAE 4 | 型号Model | A | B | C | C of G | N.W(kg) | G.W(kg) | LXWXH(mm) |
|--------|---------|-----|-----|-----|--------|---------|-------------|-------------|
| | QS224C | 792 | 729 | 170 | 368 | 250 | 275 | 820X540X870 |
| QS224D | 792 | 729 | 170 | 378 | 270 | 295 | 820X540X870 | |
| QS224E | 882 | 819 | 260 | 393 | 290 | 315 | 930X540X875 | |
| QS224F | 882 | 819 | 260 | 403 | 320 | 345 | 930X540X875 | |
| QS224G | 927 | 864 | 305 | 418 | 360 | 385 | 930X540X875 | |

FLANGE 法兰式过渡接管 (mm)

| S.A.E.NO. | D | R | S | T | W | X |
|-----------|-------|----|----|-------|-------|-----|
| 2 | 200.5 | 12 | 11 | 466.7 | 447.6 | 490 |
| 3 | 177 | 12 | 11 | 428.6 | 409.5 | 451 |
| 4 | 177 | 12 | 11 | 381.0 | 361.9 | 451 |

FLANGE 法兰式过渡接管 (mm)

| S.A.E.NO. | R | S | T | W | X |
|-----------|----|----|-------|-------|-----|
| 2 | 12 | 11 | 466.7 | 447.6 | 495 |
| 3 | 12 | 11 | 428.6 | 409.5 | 451 |
| 4 | 12 | 11 | 381.0 | 361.9 | 403 |
| 5 | 8 | 11 | 333.3 | 314.3 | 356 |

DISC COUPLING 盘片式联轴器 (mm)

| S.A.E.NO. | AN | AR | AS | AT | V |
|-----------|-------|----|------|-------|-------|
| 8 | 61.9 | 6 | 11 | 244.4 | 263.4 |
| 10 | 53.98 | 8 | 11 | 295.3 | 314.2 |
| 11.5 | 39.68 | 8 | 11 | 333.3 | 352.3 |
| 14 | 25.40 | 8 | 13.5 | 438.2 | 466.6 |

SINGLE BEARING SAE NO SELECTOR 单轴承驱动片和过渡法兰配套表

| SAE NO. | SAE8 | | SAE10 | | SAE11.5 | |
|---------|------|---|-------|---|---------|---|
| | • | • | • | • | • | • |
| SAE 2 | | | | | | |
| SAE 3 | | | | | | |
| SAE 4 | • | | • | | | |

