



ST Series

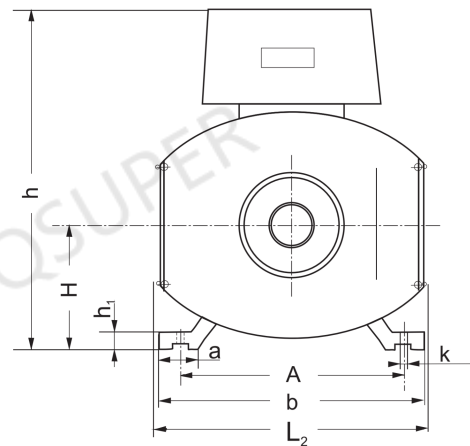
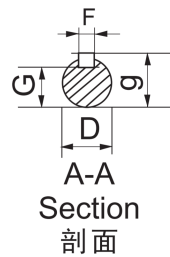
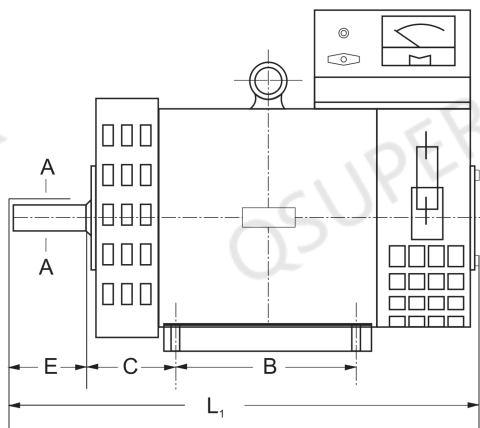
SINGLE-PHASE A.C. SYNCHRONOUS GENERATOR

单相交流同步发电机



技术参数 TECHNICAL DATA

Model	Output (KW)	Voltage (v)	Current (A)	Power factor (cos)	Poles	Speed r. p. m
ST-2	2	230	8.7	1.0	4	1500
ST-3	3	230	13	1.0	4	1500
ST-5	5	230	21.7	1.0	4	1500
ST-7.5	7.5	230	32.6	1.0	4	1500
ST-10	10	230	43.5	1.0	4	1500
ST-12	12	230	52.2	1.0	4	1500
ST-15	15	230	65.2	1.0	4	1500
ST-20	20	230	87	1.0	4	1500
ST-24	24	230	104.3	1.0	4	1500



安装尺寸 OVERALL & INSTALLATION DIMENSIONS

Model	Output (KW)	Mounting Dimensions (mm)										Overall Dimensions (mm)						
		A	B	C	D	E	F	G	H	K	a	b	h1	h	L1	L2	g	
ST-2	2	216	178	89	32	80	10	27	132	12	34	250	18	400	480	270	35	
ST-3	3	216	178	89	32	80	10	27	132	12	34	250	18	400	480	270	35	
ST-5	5	254	254	108	38	80	10	33	160	15	50	304	25	445	580	325	41	
ST-7.5	7.5	254	254	108	38	80	10	33	160	15	50	304	25	445	580	325	41	
ST-10	10	279	203	121	42	110	12	37	180	15	55	334	25	495	610	365	45	
ST-12	12	279	203	121	42	110	12	37	180	15	55	334	25	495	610	365	45	
ST-15	15	318	228	133	48	110	14	42.5	200	19	60	378	30	545	660	400	51.5	
ST-20	20	318	228	133	48	110	14	42.5	200	19	60	378	30	545	660	400	51.5	
ST-24	24	318	228	133	48	110	14	42.5	200	19	60	378	30	545	660	400	51.5	